

LAE

LI AYE ELECTRIC CO., LTD.

無齒輪永磁同步電梯主機
(Gearless Winches for rope lifts)

外銷日本

外銷歐洲



T系列 (T series)



M系列 (M series)

利愛公司簡介

1. 利愛電氣成立於 1985 年，專業製造 PM 電梯主機、PM 風力發電機、空調逆向器系統及直流馬達，為台灣專業製造大廠之一。
2. 1989 年取得 (A) 台鐵訂單，機車頭冷氣機穩壓系統 110 台。(B) 台汽訂單，中興號冷氣直流馬達 2,400 台。
3. 1990 年應用 INV 技術開發電梯專用 GTR、IGBT，並受日本東芝電梯公司認可，每年交台灣電梯大廠 2,500 台至今 20,000 多台。
4. 1991 年起連續至今取得大陸 10 大鋼鐵廠分條機、製管機直流馬達系統。
5. 1994 年推行 ISO-9001 品質系統。
6. 1996 年製造沙烏地阿拉伯軋鋼機直流馬達系統 (1280HP*14 台)。
7. 1997 年製造馬來西亞軋鋼機直流馬達系統。
8. 1999 ~ 2002 年投資成立上海利富、上海利愛、廣東東禾三家公司。
9. 2003 ~ 2010 年投資成立昆山、無錫、蘇州、南京、杭州、溫州、天津、武漢及青島等 9 家分公司。
10. 2004 年與歐洲馬達大廠 SICME 技術合作生產，PM 電梯主機、PM 風力發電機，外銷歐洲、美國、日本、東南亞。
11. 2008~2010 年核能所認可，並開始採購使用 150kW PM 風力發電機。
12. 2012 年開發製造，捷運 30kVA 空調反向器 102 套及電腦攜帶式測試單元 (PTU) 與測試台 (BTU)。
13. 2014 年開發製造，捷運 2.5kVA 緊急通風扇換流器 266 套。
14. 2004~2024 年 PM 電梯主機，經過台灣電梯大廠認可，並開始大量採購使用，實績：桃園國際機場、中國國家歌劇院、北京僑福、台大醫院、中華電信、君悅飯店、清華大學、正修科大、新竹實驗中學、BELLAVITA、香堤苑、米蘭苑、大未來、朝日、台北摩根、模範生、浪漫紐約等大樓。

Li Aye company introduction:

1. Li Aye Electric Co., Ltd. was established in 1985, which are the top three manufacturers of PM elevator winches, PM wind power generator, air conditioner inverter and DC Motors.
2. Li Aye track record in 1989.
(A) Taiwan railways order: 110 units of locomotive air condition regulated power supply system by using inverter technology.
(B) Taiwan motor transport company order: Air condition by using DC motors 2,400 units.
3. In 1990 Li Aye developed inverter technology for GTR and IGBT specially use in elevator. With this technology we had received approval from TOSHIBA Japan and issued 2,500 units order per year and total amount 20,000 units up to date.
4. Li Aye gained slitter separator, pipe making machine for DC Motor system of top 10 of large iron manufacturers in Mainland China from 1991 up to date.
5. Li Aye practiced ISO-9001 quality system in 1994.
6. Li Aye produce Rolling Mill DC Motor system of Arab in 1996. (950kW *14 units).
7. Li Aye produce Rolling Mill DC Motor system of Malaysia in 1997.
8. Li Aye invested Shanghai Lifu Co., Shanghai Li Aye Co. and Guangdong Toho Co. during 1999 to 2002.
9. Li Aye invested 9 branch companies in Kunshan, Wuxi, Suzhou, Nanjing, Hangzhou, Wenzhou, Tianjin, Wuhan and Qingdao from 2003 to 2010.
10. Li Aye joint ventured with Italy Sicme Motori which produced permanent magnet elevator winches and PM wind generator and export to Europe, US, Japan and South-East Asia in 2004.
11. Li Aye gain approval by Institute of Nuclear Energy Research (INER) from 2008 to 2010. Project with 150kW permanent magnet synchronous wind power generator will be awarded.
12. Li Aye R&D in 2012, 102 units of air conditioner inverter 30kVA and one unit of PTU and BTU.
13. Li Aye R&D in 2014, 266 units of emergency air conditioner inverter 2.5 kVA.
14. Li Aye started to produce PM elevator winches from 2004 to 2024, approval by mainly elevator manufacturer in Taiwan which uses our winches in their system. Reference Installation: Taiwan Taoyuan International Airport, National Taichung Theater, Beijing Parkview Green, National Taiwan University Hospital, Chunghwa Telecom, Hyatt Hotel, National Tsing Hua University, Cheng Shiu University, National Experimental High School at Hsinchu Science Park, BELLAVITA,...etc.

無齒輪永磁同步電梯主機 (Gearless Winches for rope lifts)

曳引比 2:1 (Suspension 2:1)



LAE-M450A-15

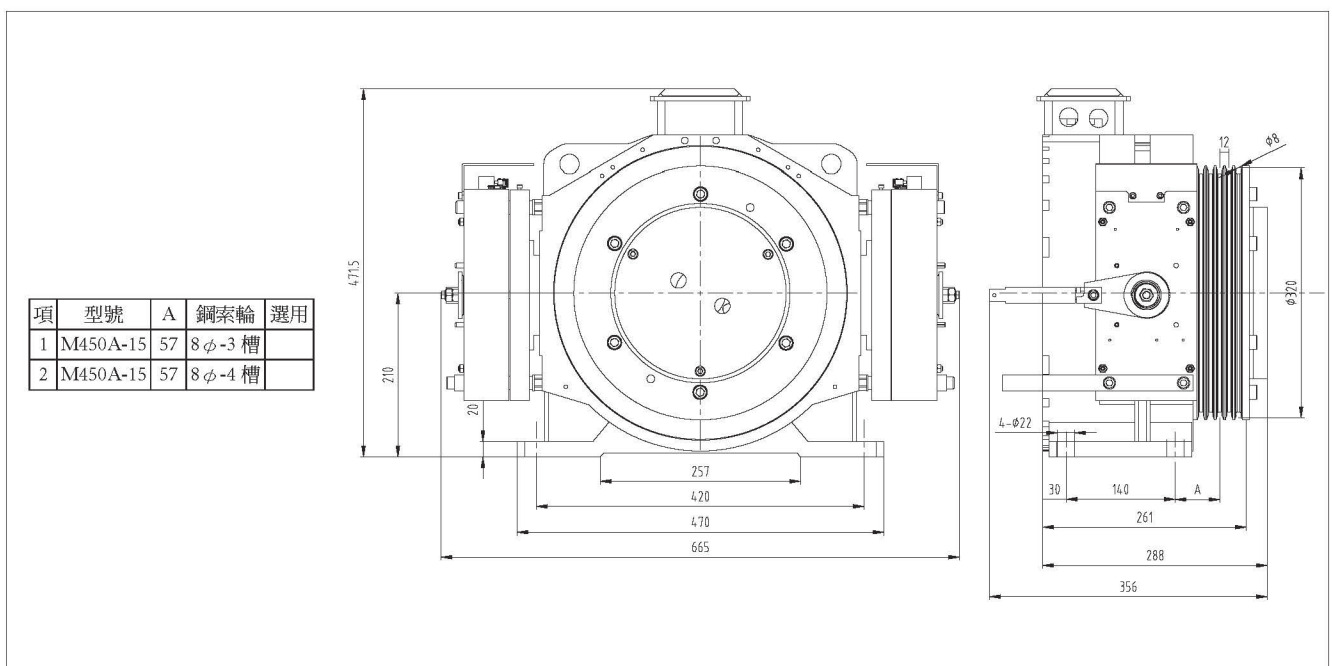
(320kg~450kg 30~60m/min)



- ▶ 載重 Payload (kg) : 320kg~450kg
- ▶ 軸負荷 Shaft load (kg) : 2,500kg
- ▶ 馬達極數 Poles : 24
- ▶ 工作制 Duty cycle (%) : S5-40%
- ▶ U型槽 Undercut U
- ▶ 防護等級 Protection Rating : IP41
- ▶ 絕緣等級 Insulation Class : F
- ▶ 塊式剎車器 Block Brake
- ▶ 剎車器電壓 Brake Voltage : DC110V
- ▶ 自重 Weight : 210kg

M450A-15 系列 (M450A-15 series)

LAE	載重 Payload	曳引比 Suspension	鋼索輪 Pulley	梯速 Speed	梯速 Speed	功率 Power	轉速 Speed	380V 電流 Current	220V 電流 Current	轉矩 Torque	頻率 Frequency
	kg			m/min	m/s	kW	rpm	A	A		Nm
M450A-15	320	2:1	320	30	0.5	1.1	59	6	6	170	11.8
				45	0.75	1.7	89	6	9		17.8
				60	1	2.2	119	6	9		23.8
	400			30	0.5	1.3	59	7	7	210	11.8
				45	0.75	2.1	89	7	11		17.8
				60	1	2.7	119	7	11		23.8
	450			30	0.5	1.5	59	8	8	240	11.8
				45	0.75	2.3	89	8	12		17.8
				60	1	3	119	8	12		23.8



LAE-M630A-15

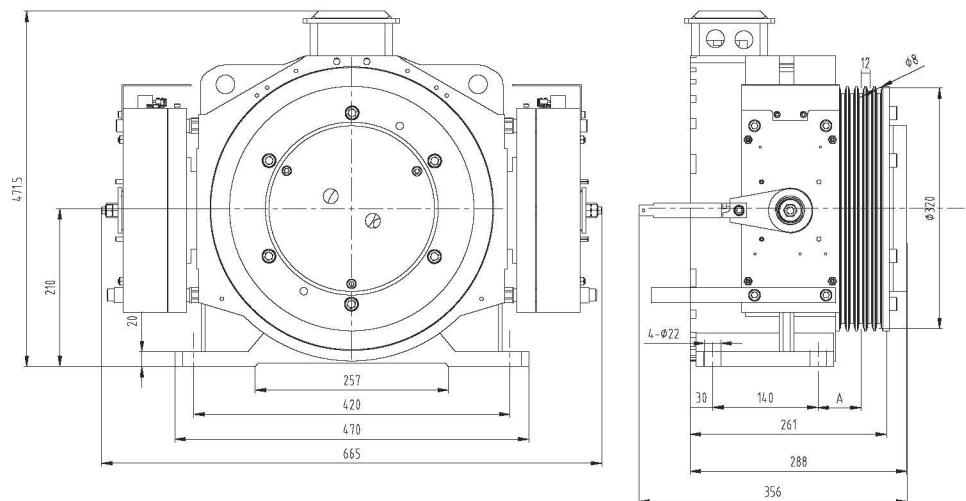
(250kg~630kg 30 ~60m/min)



- ▶ 載重 Payload (kg):250kg~630kg
- ▶ 軸負荷 Shaft load (kg):2,500kg
- ▶ 馬達極數 Poles:24
- ▶ 工作制 Duty cycle (%):S5-40%
- ▶ U 型槽 Undercut U
- ▶ 防護等級 Protection Rating:IP41
- ▶ 絕緣等級 Insulation Class:F
- ▶ 塊式剎車器 Block Brake
- ▶ 剎車器電壓 Brake Voltage:DC110V
- ▶ 自重 Weight:210kg

M630A-15 系列 (M630A-15 series)

LAE	載重 Payload	曳引比 Suspension	鋼索輪 Pulley	梯速 Speed	梯速 Speed	功率 Power	轉速 Speed	380V 電流 Current	220V 電流 Current	轉矩 Torque	頻率 Frequency
	kg			m/min	m/s						
M630A-15	250	1:1	320	30	0.5	0.9	30	8	8	270	6
				45	0.75	1.3	45	8	8		9
				60	1	1.7	59	8	8		11.8
	320			30	0.5	1.1	30	10	10	340	6
				45	0.75	1.6	45	10	10		9
				60	1	2.1	59	10	10		11.8
M630A-15	450	2:1	320	30	0.5	1.5	59	8	8	240	11.8
				45	0.75	2.3	89	8	12		17.8
				60	1	3	119	8	12		23.8
	550			30	0.5	1.8	59	9	9	300	11.8
				45	0.75	2.8	89	9	14		17.8
				60	1	3.7	119	9	14		23.8
	630			30	0.5	2.1	59	10	10	340	11.8
				45	0.75	3.2	89	10	16		17.8
				60	1	4.2	119	10	16		23.8
				60	1	4.2	119	10	16		23.8



項	型號	A	鋼索輪	選用
1	M630A-15	57	8φ-3 槽	
2	M630A-15	57	8φ-4 槽	

LAE-M1000A-15

(320kg~1000kg 45 ~105m/min)

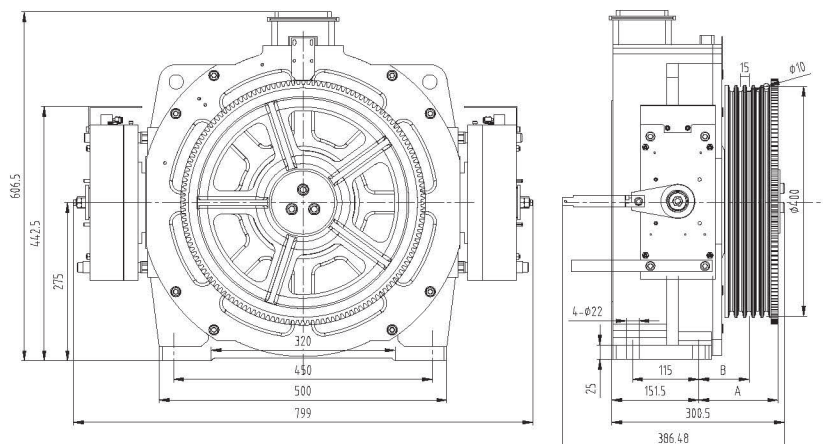


- ▶ 載重 Payload (kg):320kg~1000kg
- ▶ 軸負荷 Shaft load (kg):3,000kg
- ▶ 馬達極數 Poles:32
- ▶ 工作制 Duty cycle (%):S5-40%
- ▶ U 型槽 Undercut U
- ▶ 防護等級 Protection Rating:IP41
- ▶ 絕緣等級 Insulation Class:F
- ▶ 塊式剎車器 Block Brake
- ▶ 剎車器電壓 Brake Voltage:DC110V
- ▶ 自重 Weight:280kg

M1000A-15 系列 (M1000A-15 series)

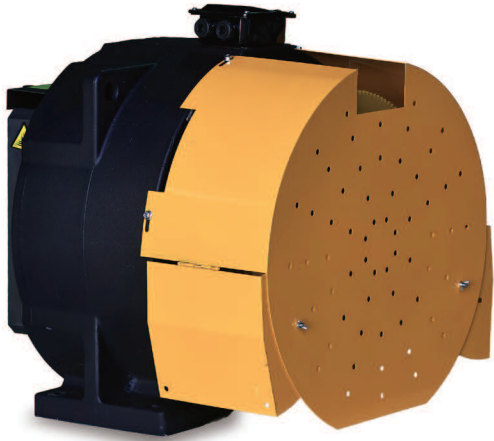
LAE	載重 Payload	曳引比 Suspension	鋼索輪 Pulley	梯速 Speed	梯速 Speed	功率 Power	轉速 Speed	380V 電流 Current	220V 電流 Current	轉矩 Torque	頻率 Frequency
	kg							A	A		
M1000A-15	320	1:1	400	60	1	2.1	48	10	10	410	12.8
				90	1.5	3.2	72	10	17		19.2
				105	1.75	3.7	84	10	17		22.4
	450			60	1	3	48	14	14	590	12.8
				90	1.5	4.5	72	14	24		19.2
				105	1.75	5.2	84	14	24		22.4
	500			60	1	3.3	48	15	15	650	12.8
				90	1.5	5	72	15	26		19.2
				105	1.75	5.7	84	15	26		22.4
M1000A-15	630	2:1	400	45	0.75	3.2	72	10	16	410	19.2
				60	1	4.2	96	10	16		25.6
				90	1.5	6.3	145	16	28		38.7
				105	1.75	7.3	168	16	28		44.8
	800			45	0.75	4	72	13	21	530	19.2
				60	1	5.3	96	13	21		25.6
				90	1.5	8	145	21	36		38.7
				105	1.75	9.3	168	21	36		44.8
	1000			45	0.75	4.9	72	15	26	650	19.2
				60	1	6.5	96	15	26		25.6
				90	1.5	9.8	145	26	45		38.7
				105	1.75	11.4	168	26	45		44.8

項	型號	A	B	鋼索輪	選用
1	MI000A-15-630	1225	80	10 φ-3,4 槽	
2	MI000A-15-800	1375	875	10 φ-4,5 槽	
3	MI000A-15-1000	1375	875	10 φ-4,5 槽	



LAE-M1350A-17

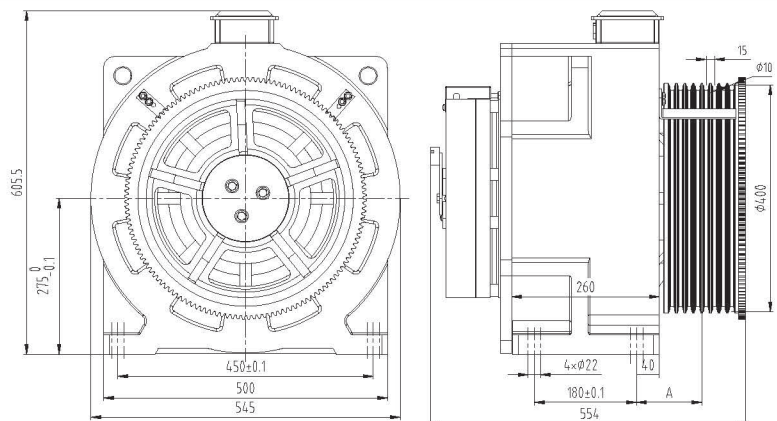
(550kg~1600kg 60 ~120m/min)



- ▶ 載重 Payload (kg):550kg~1600kg
- ▶ 軸負荷 Shaft load (kg):5,000kg
- ▶ 馬達極數 Poles:32
- ▶ 工作制 Duty cycle (%):S5-40%
- ▶ U 型槽 Undercut U
- ▶ 防護等級 Protection Rating:IP41
- ▶ 絕緣等級 Insulation Class:F
- ▶ 盤式剎車器 Plate Brake
- ▶ 剎車器電壓 Brake Voltage:DC110V
- ▶ 自重 Weight:500kg

M1350A-17 系列 (M1350A-17 series)

LAE	載重 Payload	曳引比 Suspension	鋼索輪 Pulley	梯速 Speed	梯速 Speed	功率 Power	轉速 Speed	380V 電流 Current	220V 電流 Current	轉矩 Torque	頻率 Frequency
	kg			m/min	m/s			A	A		
M1350A-17	550	1:1	400	60	1	3.7	48	17	17	740	12.8
				90	1.5	5.5	72	17	30		19.2
				105	1.75	6.5	84	17	30		22.4
				120	2	7.4	96	17	30		25.6
	700			60	1	4.7	48	22	22	940	12.8
				90	1.5	7.1	72	22	39		19.2
				105	1.75	8.2	84	22	39		22.4
				120	2	9.4	96	22	39		25.6
	800			60	1	5.4	48	25	25	1070	12.8
				90	1.5	8.1	72	25	44		19.2
				105	1.75	9.4	84	25	44		22.4
				120	2	10.7	96	25	44		25.6
M1350A-17	1150	2:1	400	60	1	7.7	96	18	29	770	25.6
				90	1.5	11.5	145	24	54		38.7
				105	1.75	13.5	168	29	54		44.8
				120	2	15.4	191	38	63		50.9
	1350			60	1	9	96	20	35	910	25.6
				90	1.5	13.5	145	31	63		38.7
				105	1.75	15.8	168	35	63		44.8
				120	2	18	191	41	73		50.9
	1600			60	1	10.7	96	25	44	1070	25.6
				90	1.5	16	145	35	75		38.7
				105	1.75	18.7	168	44	75		44.8
				120	2	21.4	191	49	87		50.9



項	型號	A	鋼索輪	選用
1	M1350A-17	92.5	10 φ-5,6 槽	
2	M1350A-17	115	10 φ-7,8 槽	

LAE-M1800A-15

(700kg~2000kg 60 ~120m/min)

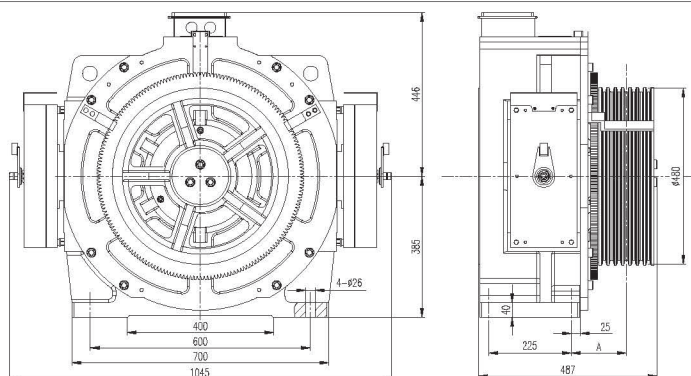


- ▶ 載重 Payload (kg):700kg~2000kg
- ▶ 軸負荷 Shaft load (kg):8,000kg
- ▶ 馬達極數 Poles:48
- ▶ 工作制 Duty cycle (%):S5-40%
- ▶ U 型槽 Undercut U
- ▶ 防護等級 Protection Rating:IP41
- ▶ 絕緣等級 Insulation Class:F
- ▶ 塊式剎車器 Block Brake
- ▶ 剎車器電壓 Brake Voltage:DC110V
- ▶ 自重 Weight:950kg

M1800A-15 系列 (M1800A-15 series)

LAE	載重 Payload	曳引比 Suspension	鋼索輪 Pulley	梯速 Speed	梯速 Speed	功率 Power	轉速 Speed	380V 電流 Current	220V 電流 Current	轉矩 Torque	頻率 Frequency
	kg		mm	m/min	m/s	kW	rpm	A	A	Nm	Hz
M1800A-15	700	1:1	480	60	1	4.6	40	21	21	1090	16
				90	1.5	6.8	60	21	31		24
				105	1.75	7.8	70	21	37		28
				120	2	9.0	80	21	37		32
	800			60	1	5.2	40	24	24	1240	16
				90	1.5	7.8	60	24	35		24
				105	1.75	8.9	70	24	42		28
				120	2	10.3	80	24	42		32
	900			60	1	5.9	40	27	27	1400	16
				90	1.5	8.7	60	27	40		24
				105	1.75	10.0	70	27	47		28
				120	2	11.6	80	27	47		32
	1000			60	1	6.5	40	30	30	1550	16
				90	1.5	9.7	60	30	44		24
				105	1.75	11.1	70	30	52		28
				120	2	12.9	80	30	52		32
M1800A-15	1600	2:1	480	60	1	10.3	80	24	42	1240	32
				90	1.5	15.5	119	35	-		47.6
				105	1.75	18.1	139	42	-		55.6
				120	2	20.6	159	47	-		63.6
	1800			60	1	11.6	80	27	47	1400	32
				90	1.5	17.5	119	40	-		47.6
				105	1.75	20.3	139	47	-		55.6
				120	2	23.2	159	53	-		63.6
	2000			60	1	12.9	80	30	52	1550	32
				90	1.5	19.4	119	44	-		47.6
				105	1.75	22.6	139	52	-		55.6
				120	2	25.8	159	59	-		63.6

項	型號	A	鋼索輪	選用
1	M1800A-15	150	12φ-4,7 槽	
2				



LAE-M2500A-15

(1150kg~5000kg 30~120m/min)

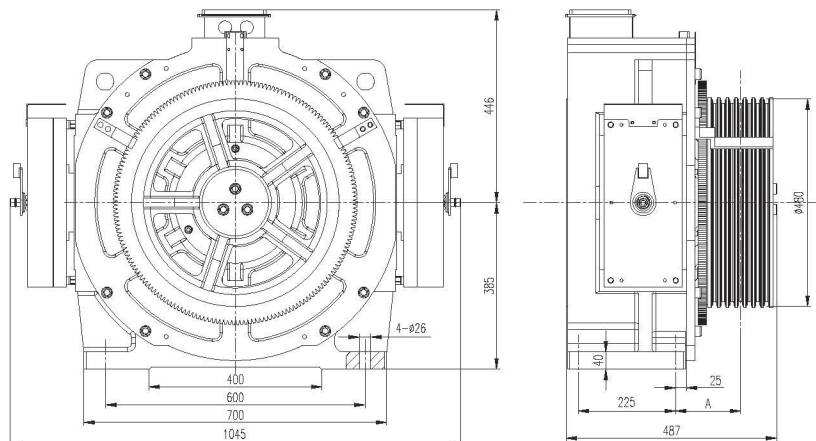


- ▶ 載重 Payload (kg):1150kg~5000kg
- ▶ 軸負荷 Shaft load (kg):8,000kg
- ▶ 馬達極數 Poles:48
- ▶ 工作制 Duty cycle (%):S5-40%
- ▶ U 型槽 Undercut U
- ▶ 防護等級 Protection Rating:IP41
- ▶ 絕緣等級 Insulation Class:F
- ▶ 塊式剎車器 Block Brake
- ▶ 剎車器電壓 Brake Voltage:DC110V
- ▶ 自重 Weight:950kg

M2500A-15 系列 (M2500A-15 series)

LAE	載重 Payload	曳引比 Suspension	鋼索輪 Pulley	梯速 Speed	梯速 Speed	功率 Power	轉速 Speed	380V 電流 Current	220V 電流 Current	轉矩 Torque	頻率 Frequency
	kg							A	A		Hz
M2500A-15	1150	1:1	480	45	0.75	5.6	30	35	35	1790	12
				60	1	7.4	40	35	35		16
				90	1.5	11	60	35	53		24
				105	1.75	12.8	70	35	58		28
				120	2	14.6	80	35	58		32
	1250			45	0.75	6	30	38	38	1940	12
	60			1	8	40	38	38	16		
	90			1.5	11.9	60	38	57	24		
	105			1.75	13.9	70	38	63	28		
	120			2	16.2	80	38	63	32		
M2500A-15	2500	2:1	480	45	0.75	12.1	60	38	57	1940	24
				60	1	16.2	80	38	63		32
				90	1.5	24.2	119	57	-		47.6
				105	1.75	28.2	139	63	-		55.6
				120	2	32.3	159	75	-		63.6
M2500A-15	5000	4:1	480	30	0.5	16.2	80	38	63	1940	32
				45	0.75	24.2	119	57	-		47.6
				60	1	32.3	159	75	-		63.6

項	型號	A	鋼索輪	選用
1	M2500A-15	150	12φ-5~7 槽	



LAE-T200A-17

(320kg~630kg 30 ~60m/min)

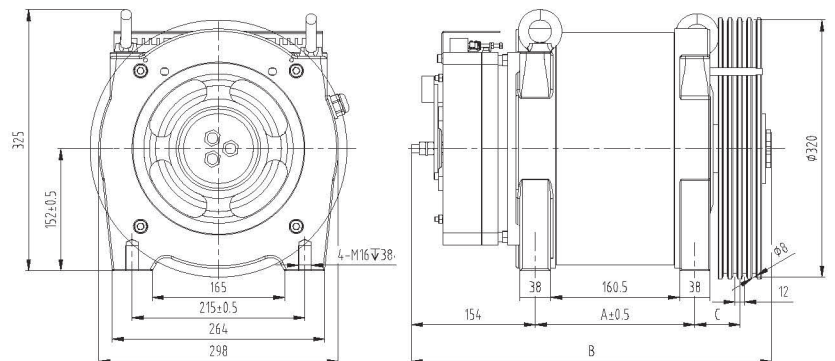


- ▶ 載重 Payload (kg):320kg~630kg
- ▶ 軸負荷 Shaft load (kg):2,500kg
- ▶ 馬達極數 Poles:24
- ▶ 工作制 Duty cycle (%):S5-25%
- ▶ U 型槽 Undercut U
- ▶ 防護等級 Protection Rating:IP41
- ▶ 絕緣等級 Insulation Class:F
- ▶ 盤式剎車器 Plate Brake
- ▶ 剎車器電壓 Brake Voltage:DC110V
- ▶ 自重 Weight:135kg

T200A-17 系列 (T200A-17 series)

LAE	載重 Payload	曳引比 Suspension	鋼索輪 Pulley	梯速 Speed	梯速 Speed	功率 Power	轉速 Speed	380V 電流 Current	220V 電流 Current	轉矩 Torque	頻率 Frequency
	kg		mm	m/min	m/s	kW	rpm	A	A		
T200A-17	320	2:1	240	30	0.5	1.1	79	6	6	130	15.8
				45	0.75	1.7	119	6	11		23.8
	30			0.5	1.6	79	8	8	180	15.8	
	45			0.75	2.4	119	8	16		23.8	
T200A-17L	450		320	30	0.5	1.5	59	7	8	240	11.8
				45	0.75	2.3	89	8	14		17.8
				60	1	3	119	8	14		23.8
T200A-17LL	630		320	30	0.5	2.1	59	7	11	340	11.8
		45		0.75	3.2	89	11	19	17.8		
		60		1	4.2	119	11	19	23.8		

項	型號	A	B	C	鋼索輪	選用
1	T200A-17-320	198.5	448	56	8φ-3 槽	
2	T200A-17-450					
3	T200A-17L-450	258.5	513	61	8φ-3,4 槽	
4	T200A-17LL-630					



LAE-T280A-17

(1350kg~3000kg 45~120m/min)

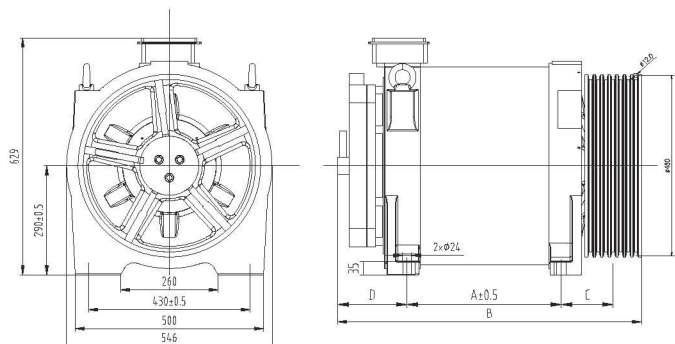


- ▶ 載重 Payload (kg):1350kg~3000kg
- ▶ 軸負荷 Shaft load (kg):9,000kg
- ▶ 馬達極數 Poles:32
- ▶ 工作制 Duty cycle (%):S5-40%
- ▶ U 型槽 Undercut U
- ▶ 防護等級 Protection Rating:IP41
- ▶ 絕緣等級 Insulation Class:F
- ▶ 盤式剎車器 Plate Brake
- ▶ 剎車器電壓 Brake Voltage:DC110V
- ▶ 自重 Weight:960kg

T280A-17 系列 (T280A-17 series)

LAE	載重 Payload	曳引比 Suspension	鋼索輪 Pulley	梯速 Speed	梯速 Speed	功率 Power	轉速 Speed	380V 電流 Current	220V 電流 Current	轉矩 Torque	頻率 Frequency
	kg		mm	m/min	m/s	kW	rpm	A	A	Nm	Hz
T280A-17	1350	2:1	480	45	0.75	6.8	60	23	35	1090	16
				60	1	9	80	23	40		21.3
				90	1.5	13.5	119	35	-		31.7
				105	1.75	15.8	139	40	-		37.1
				120	2	18.1	159	46	-		42.4
	1600			45	0.75	8	60	27	41	1290	16
				60	1	10.7	80	27	47		21.3
				90	1.5	16	119	41	-		31.7
				105	1.75	18.7	139	47	-		37.1
				120	2	21.4	159	54	-		42.4
	2000			45	0.75	10.2	60	34	51	1610	16
				60	1	13.4	80	34	59		21.3
				90	1.5	20.3	119	51	-		31.7
				105	1.75	23.4	139	59	-		37.1
				120	2	26.7	159	67	-		42.4
	2500			45	0.75	12.6	60	42	63	2010	16
				60	1	16.7	80	42	74		21.3
				90	1.5	25.2	119	63	-		31.7
				105	1.75	39.2	139	74	-		37.1
				120	2	33.4	159	84	-		42.4
3000	45	0.75	15.1	60	51	76	2410	16			
	60	1	20.5	80	51	88		21.3			
	90	1.5	30.2	119	76	-		31.7			
	105	1.75	35.2	139	88	-		37.1			
	120	2	40.5	159	101	-		42.4			

項	型號	A	B	C	D	鋼索輪	選用
1	T280A-17-1350	230	626.5	1375	184	12 φ-5~7 槽	
2	T280A-17-1600	230	626.5			12 φ-5~7 槽	
3	T280A-17-2000	270	666.5			12 φ-5~7 槽	
4	T280A-17-2500	310	706.5			12 φ-5~7 槽	
5	T280A-17-3000	410	806.5			12 φ-5~7 槽	
6	T280A-17-3000	410	914.5			166.5	234



LAE-T400A-17

(2000kg~10000kg 30 ~105m/min)

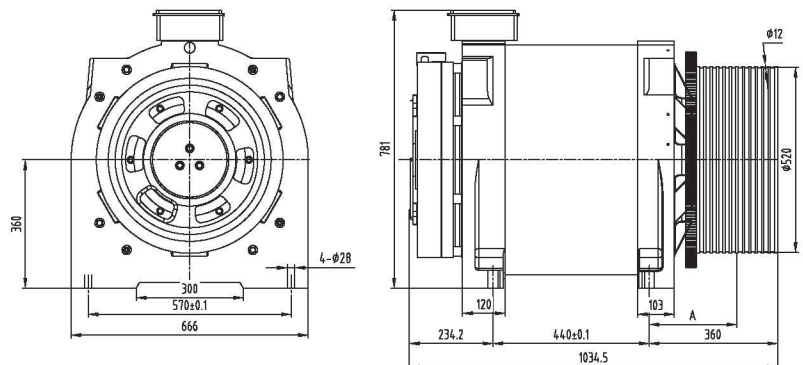


- ▶ 載重 Payload (kg):2000kg~10000kg
- ▶ 軸負荷 Shaft load (kg):15,000kg
- ▶ 馬達極數 Poles:32
- ▶ 工作制 Duty cycle (%):S5-40%
- ▶ U 型槽 Undercut U
- ▶ 防護等級 Protection Rating:IP41
- ▶ 絕緣等級 Insulation Class:F
- ▶ 盤式剎車器 Plate Brake
- ▶ 剎車器電壓 Brake Voltage:DC110V
- ▶ 自重 Weight:1600kg

T200A-17 系列 (T200A-17 series)

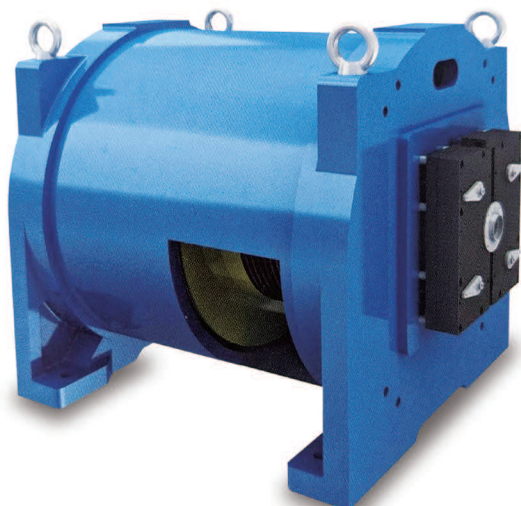
LAE	載重 Payload	曳引比 Suspension	鋼索輪 Pulley	梯速 Speed	梯速 Speed	功率 Power	轉速 Speed	380V 電流 Current	轉矩 Torque	頻率 Frequency
	kg		mm	m/min	m/s	kW	rpm	A	Nm	Hz
T400A-17	2000	1:1	520	45	0.75	10.1	28	31	3480	7.5
				60	1	13.4	37	31		9.9
				90	1.5	19.8	55	61		14.7
				105	1.75	23.5	65	61		17.3
	2500			45	0.75	12.6	28	38	4350	28
				60	1	16.7	37	38		37
				90	1.5	24.8	55	76		55
				105	1.75	29.3	65	76		65
T400A-17	4000	2:1	520	30	0.5	13.4	37	31	3480	9.9
				60	1	26.7	74	62		19.7
				90	1.5	40.1	110	88		29.3
				105	1.75	46.8	129	115		34.4
	5000			30	0.5	16.7	37	38	4350	9.9
				60	1	33.4	74	76		19.7
				90	1.5	50.1	110	114		29.3
				105	1.75	58.5	129	130		34.4
T400A-17	8000	4:1	520	30	0.5	26.7	74	61	3480	19.7
				45	0.75	40.1	110	88		29.3
				60	1	53.5	147	130		39.2
	10000			30	0.5	33.4	74	76	4350	19.7
				45	0.75	50.1	110	114		29.3
				60	1	66.8	147	150		39.2

項	型號	A	鋼索輪	選用
1	T400A-17-3000	245.5	12 φ-10~12 槽	
2	T400A-17-4000	245.5	12 φ-10~12 槽	
3	T400A-17-5000	245.5	12 φ-10~12 槽	



LAE-T560A-18

(4000kg~20000kg 30 ~120m/min)

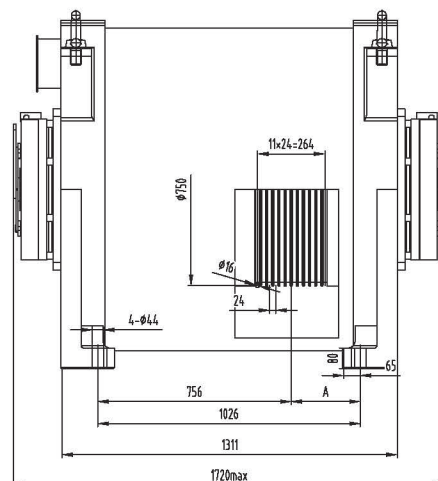
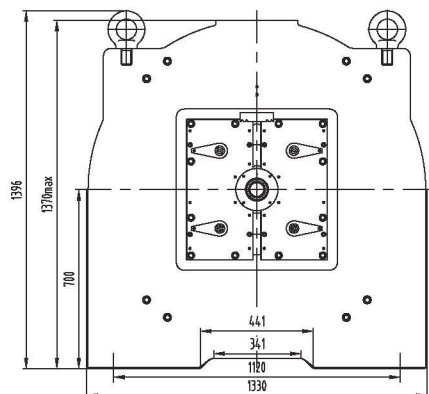


- ▶ 載重 Payload (kg):4000kg~20000kg
- ▶ 軸負荷 Shaft load (kg):30,000kg
- ▶ 馬達極數 Poles:48
- ▶ 工作制 Duty cycle (%):S5-40%
- ▶ U 型槽 Undercut U
- ▶ 防護等級 Protection Rating:IP41
- ▶ 絕緣等級 Insulation Class:F
- ▶ 盤式剎車器 Plate Brake
- ▶ 剎車器電壓 Brake Voltage:DC110V
- ▶ 自重 Weight:700kg

T560A-18 系列 (T560A-18 series)

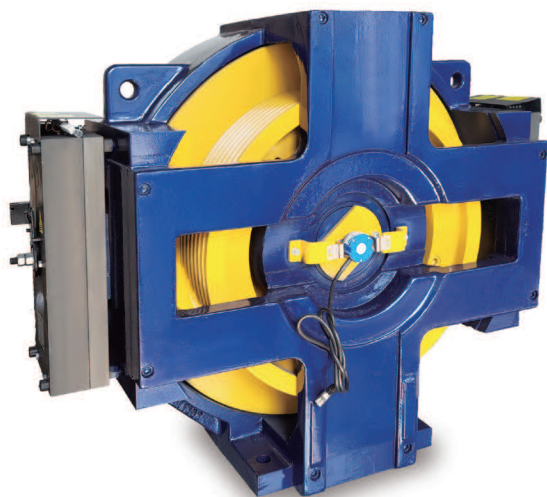
LAE	載重 Payload	曳引比 Suspension	鋼索輪 Pulley	梯速	梯速	功率 Power	轉速 Speed	380V 電流 Current	轉矩 Torque	頻率 Frequency
	kg			m/min	m/s					
T560A-18	4000	1:1	750	60	1	27	26	62	10030	10.4
				120	2	54	51	124		20.4
	5000			60	1	34	26	78	12530	10.4
				120	2	67	51	155		20.4
T560A-18	8000	2:1	750	60	1	54	51	124	10030	20.4
				120	2	107	102	247		40.8
	10000			60	1	67	51	155	12530	20.4
				120	2	134	102	308		40.8
T560A-18	16000	4:1	750	30	0.5	54	51	124	10030	20.4
				60	1	107	102	247		40.8
	20000			30	0.5	67	51	155	12530	20.4
				60	1	134	102	308		40.8

項	型號	A	鋼索輪	選用
1	T560A-18	270	16φ-12槽	



LAE-M1000A-15T

(320kg~1000kg 45~105m/min)

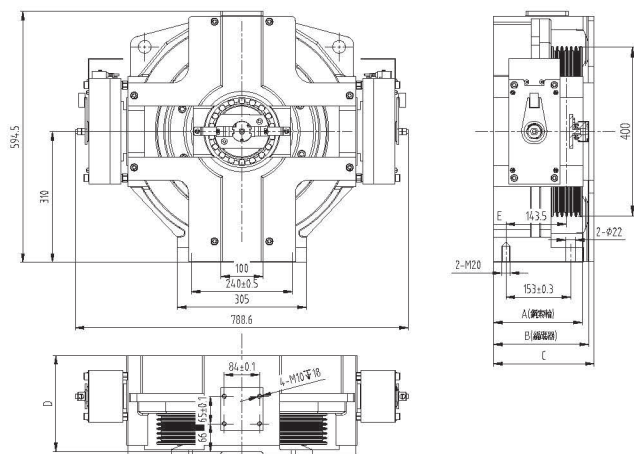


- ▶ 載重 Payload (kg):320kg~1000kg
- ▶ 軸負荷 Shaft load (kg):3,000kg
- ▶ 馬達極數 Poles:48
- ▶ 工作制 Duty cycle (%):S5-40%
- ▶ U型槽 Undercut U
- ▶ 防護等級 Protection Rating:IP41
- ▶ 絕緣等級 Insulation Class:F
- ▶ 塊式剎車器 Block Brake
- ▶ 剎車器電壓 Brake Voltage:DC110V
- ▶ 自重 Weight:350kg

M1000A-15T 系列 (M1000A-15T series)

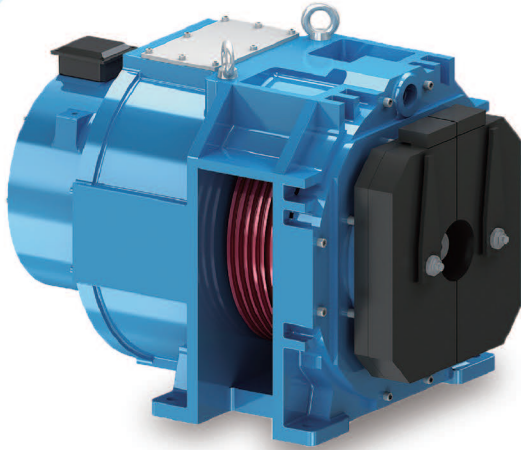
LAE	載重 Payload	曳引比 Suspension	鋼索輪 Pulley	梯速 Speed	梯速 Speed	功率 Power	轉速 Speed	380V 電流 Current	220V 電流 Current	轉矩 Torque	頻率 Frequency
	kg			m/min	m/s	kW	rpm	A	A		
M1000A-15T	320	1:1	400	60	1	2.1	48	10	10	410	19.2
				90	1.5	3.2	72	10	16		28.8
				105	1.75	3.7	84	10	16		33.6
	450			60	1	3	48	14	14	590	19.2
				90	1.5	4.5	72	14	24		28.8
				105	1.75	5.2	84	14	24		33.6
	500			60	1	3.3	48	15	15	650	19.2
				90	1.5	4.9	72	15	26		28.8
				105	1.75	5.7	84	15	26		33.6
M1000A-15T	630	2:1	400	45	0.75	3.2	72	10	16	410	28.8
				60	1	4.3	96	10	16		38.4
				90	1.5	6.4	145	16	28		58
				105	1.75	7.5	168	16	28		67.2
	800			45	0.75	4	72	12	20	530	28.8
				60	1	5.4	96	12	20		38.4
				90	1.5	8.1	145	20	35		58
				105	1.75	9.4	168	20	35		67.2
	1000			45	0.75	4.9	72	15	26	650	28.8
				60	1	6.4	96	15	26		38.4
				90	1.5	9.6	145	26	45		58
				105	1.75	11.2	168	26	45		67.2

項	型號	A	B	C	D	E	鋼索輪	選用
1	M1000A-15T	211	225.5	239	228	30	10 φ-3~4 槽	
2								



LAE-TG1800A-18

(700kg~2000kg 60 ~120m/min)

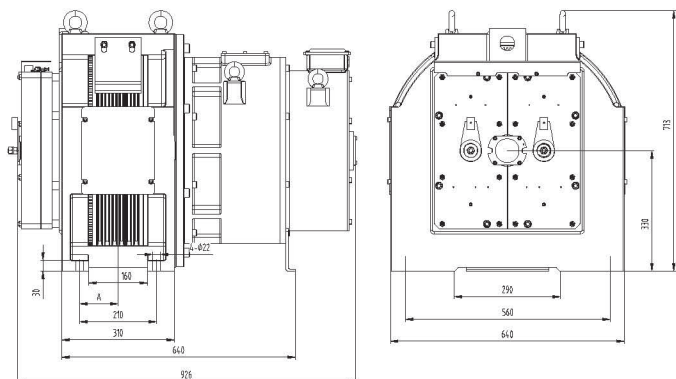


- ▶ 載重 Payload (kg):700kg~2000kg
- ▶ 軸負荷 Shaft load (kg):5,000kg
- ▶ 馬達極數 Poles:16
- ▶ 減速比 1:4.67 (行星斜齒)
- ▶ 工作制 Duty cycle (%):S5-40%
- ▶ U 型槽 Undercut U
- ▶ 防護等級 Protection Rating:IP54
- ▶ 絕緣等級 Insulation Class:F
- ▶ 盤式剎車器 Plate Brake
- ▶ 剎車器電壓 Brake Voltage:DC110V
- ▶ 自重 Weight:750kg

TG1800A-18 系列 (TG1800A-18 series)

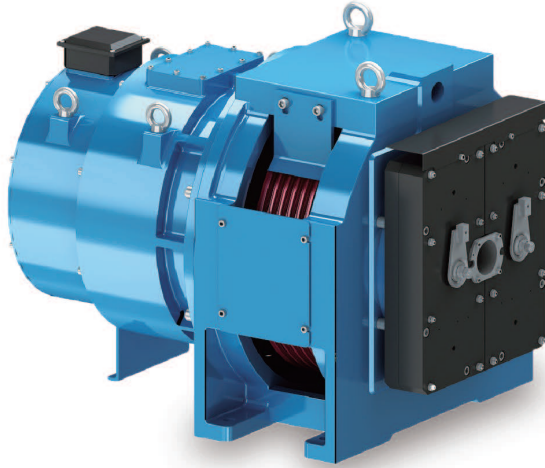
LAE	載重 Payload kg	曳引比 Suspension	鋼索輪 Pulley mm	梯速 Speed m/min	梯速 Speed m/s	功率 Power kW	轉速 Speed rpm	380V 電流 Current A	220V 電流 Current A	轉矩 Torque Nm	頻率 Frequency Hz
TG1800A-18	700	1:1	520	60	1	4.7	172	12	21	261	22.9
				90	1.5	7.1	257	21	42		34.3
				105	1.75	8.2	300	21	42		40
				120	2	9.4	343	24	42		45.7
	800			60	1	5.4	172	14	24	298	22.9
				90	1.5	8.1	257	24	48		34.3
				105	1.75	9.4	300	24	48		40
				120	2	10.7	343	27	48		45.7
	900			60	1	6.0	172	15	27	335	22.9
				90	1.5	9.1	257	27	54		34.3
				105	1.75	10.5	300	27	54		40
				120	2	12.1	343	31	54		45.7
	1000			60	1	6.7	172	17	30	372	22.9
				90	1.5	10.1	257	30	60		34.3
				105	1.75	11.7	300	30	60		40
				120	2	13.4	343	34	60		45.7
TG1800A-18	1600	2:1	520	60	1	10.7	343	28	48	595	45.7
				90	1.5	16.0	515	48	-		68.7
				105	1.75	18.7	600	48	-		80
				120	2	21.4	686	55	-		91.5
	1800			60	1	12.1	343	31	54	670	45.7
				90	1.5	18.0	515	54	-		68.7
				105	1.75	21.1	600	54	-		80
				120	2	24.0	686	61	-		91.5
	2000			60	1	13.4	343	34	60	744	45.7
				90	1.5	20.0	515	60	-		68.7
				105	1.75	23.4	600	60	-		80
				120	2	26.7	686	68	-		91.5

項	型號	A	鋼索輪	選用
1	TG1800A-18	105	13φ-6槽	



LAE-TG3500A-18

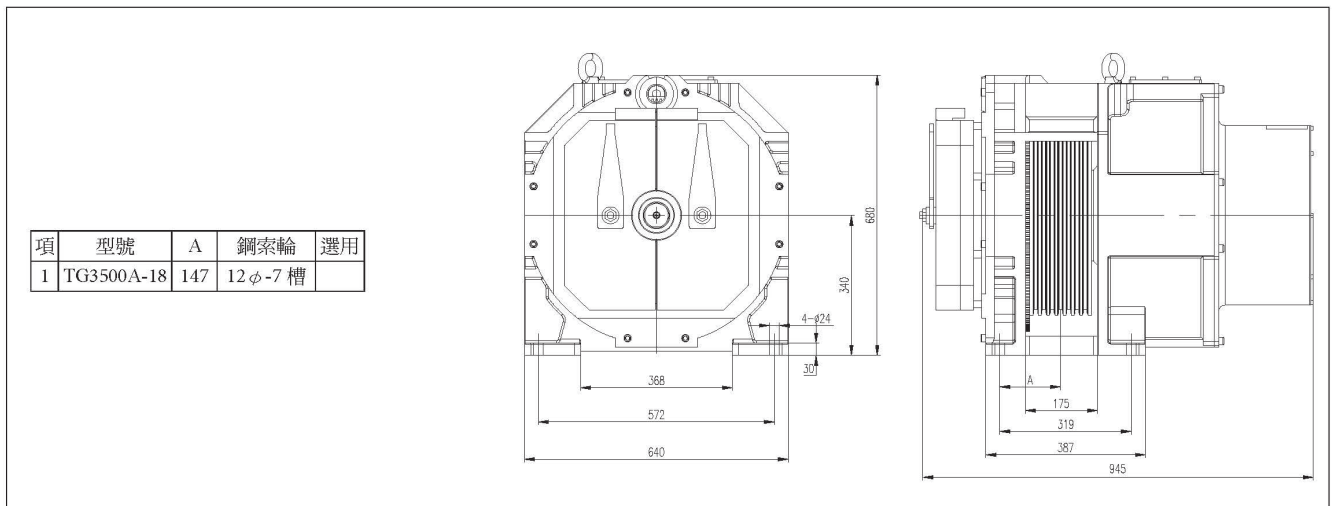
(2500kg~3500kg 45 ~120m/min)



- ▶ 載重 Payload (kg):2500kg~3500kg
- ▶ 軸負荷 Shaft load (kg):9,000kg
- ▶ 馬達極數 Poles:12
- ▶ 減速比 1:5.05 (行星斜齒)
- ▶ 工作制 Duty cycle (%):S5-40%
- ▶ U 型槽 Undercut U
- ▶ 防護等級 Protection Rating:IP54
- ▶ 絕緣等級 Insulation Class:F
- ▶ 盤式剎車器 Plate Brake
- ▶ 剎車器電壓 Brake Voltage:DC110V
- ▶ 自重 Weight:850kg

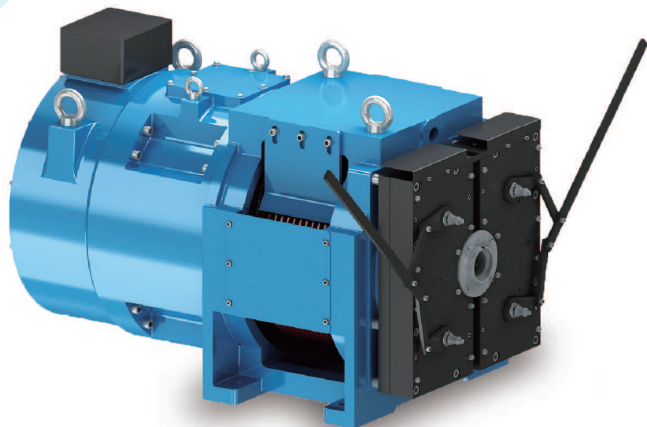
TG3500A-18 系列 (TG3500A-18 series)

LAE	載重 Payload	曳引比 Suspension	鋼索輪 Pulley	梯速 Speed	梯速 Speed	功率 Power	轉速 Speed	380V 電流 Current	220V 電流 Current	轉矩 Torque	頻率 Frequency
	kg		mm	m/min	m/s	kW	rpm	A	A		
TG3500A-18	2500	2:1	480	45	0.75	12.6	302	29	58	397	30.2
				60	1	16.7	402	40	68		40.2
				90	1.5	25.1	603	58	-		60.3
				105	1.75	29.2	703	68	-		70.3
				120	2	33.4	804	77	-		80.4
	3000			45	0.75	15.1	302	35	69	476	30.2
				60	1	20	402	47	81		40.2
				90	1.5	30.1	603	69	-		60.3
				105	1.75	35.1	703	81	-		70.3
				120	2	40.1	804	92	-		80.4
	3500			45	0.75	16.7	302	39	77	528	30.2
				60	1	22.2	402	52	90		40.2
				90	1.5	33.3	603	77	-		60.3
				105	1.75	38.9	703	90	-		70.3
				120	2	44.4	804	103	-		80.4



LAE-TG5000A-18

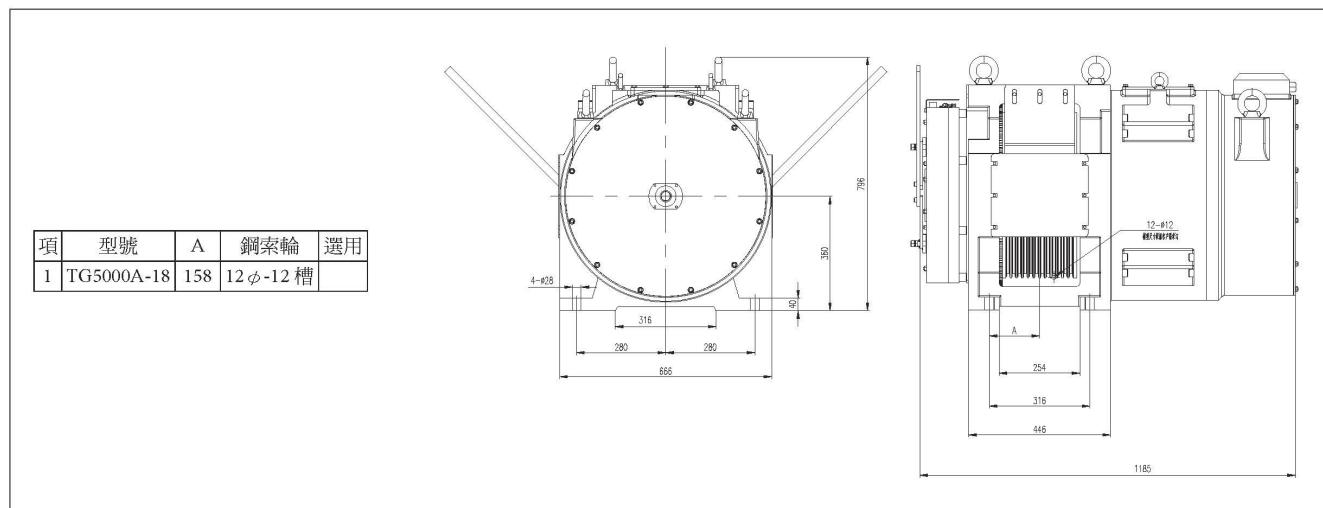
(4000kg~10000kg 30 ~120m/min)



- ▶ 載重 Payload (kg):4000kg~10000kg
- ▶ 軸負荷 Shaft load (kg):15,000kg
- ▶ 馬達極數 Poles:20
- ▶ 減速比 1:3.83 (行星斜齒)
- ▶ 工作制 Duty cycle (%):S5-40%
- ▶ U 型槽 Undercut U
- ▶ 防護等級 Protection Rating:IP54
- ▶ 絕緣等級 Insulation Class:F
- ▶ 盤式剎車器 Plate Brake
- ▶ 剎車器電壓 Brake Voltage:DC110V
- ▶ 自重 Weight:1200kg

TG5000A-18 系列 (TG5000A-18 series)

LAE	載重 Payload	曳引比 Suspension	鋼索輪 Pulley	梯速 Speed	梯速 Speed	功率 Power	轉速 Speed	380V 電流 Current	220V 電流 Current	轉矩 Torque	頻率 Frequency
	kg			m/min	m/s	kW	rpm	A	A		
TG5000A-18	4000	2:1	520	60	1	26.7	281	64	111	3475	46.8
				105	1.75	46.8	492	111	-		82
				120	2	53.5	563	128	-		93.8
	5000			60	1	33.4	281	80	138	4343	46.8
				105	1.75	58.5	492	138	-		82
				120	2	75.9	563	160	-		93.8
TG5000A-18	8000	4:1	520	30	0.5	26.7	281	64	111	3475	46.8
				45	0.75	40.1	422	111	-		70.3
				60	1	53.5	563	128	-		93.8
	10000			30	0.5	33.4	281	80	138	4343	46.8
				45	0.75	56.9	422	138	-		70.3
				60	1	75.9	563	160	-		93.8



品質至上是永續經營的保證！

滿足客戶的需求是我們的使命！



2000hp永磁同步風力發電機，內部構造直徑3公尺，鈦鐵硼磁鐵8500片(2000kg)
1.5MW wind power permanent magnet synchronous generator, its internal diameter is 3 meters, NdFeB magnet containing a total of 8500 pieces (2000kg) .



桃園國際機場第一航廈
Taiwan Taoyuan International Airport terminal 1



北京僑福芳草地觀光梯，永磁同步無機房主機
Permanent magnet synchronous roomless winch of Beijing Parkview Green tourist elevator.



桃園國際機場第一航廈觀光梯，永磁同步無機房主機
Permanent magnet synchronous roomless winch of Taiwan Taoyuan International Airport terminal 1 tourist elevator.

LAE 利愛電氣股份有限公司
Li Aye Electric Co., Ltd.

桃園市觀音區中山路二段820號
No. 820, Sec. 2, Zhongshan Road, Guanyin
District, Taoyuan City 32850, Taiwan
TEL: +886-3-4985959
FAX: +886-3-4985957
Email: info@liaye.com.tw
www.liaye.com.tw

總代理：
General agent: